

Blizzard Bag #1

Task

Completed

1. Write 3 sentences with 5 words in each sentence. Use a sight word from this list in each sentence: are, we, the	
2. Make as many words as you can using these letters: a m t s p i b	
3. Count to 100. Parent sign when complete.	
4. Do addition math problems that are attached.	
5. Write your numbers to 20.	

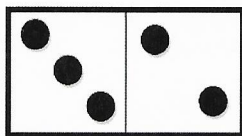
Name _____

Date _____

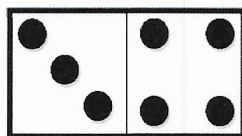


DOMINO ADDITION SHEET 3

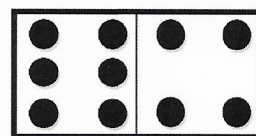
Count the number of dots on each domino and fill in the total.



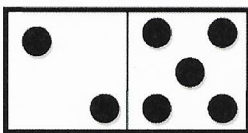
___ + ___ = ___



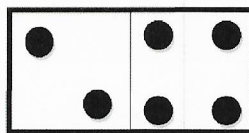
___ + ___ = ___



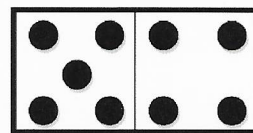
___ + ___ = ___



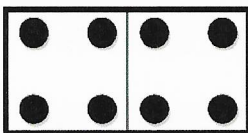
___ + ___ = ___



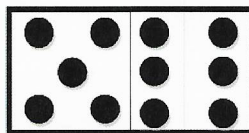
___ + ___ = ___



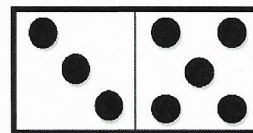
___ + ___ = ___



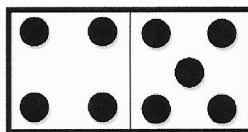
___ + ___ = ___



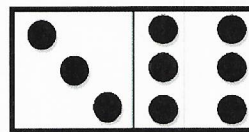
___ + ___ = ___



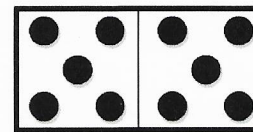
___ + ___ = ___



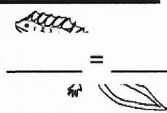
___ + ___ = ___



___ + ___ = ___

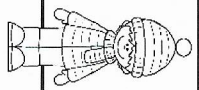


___ + ___ = ___

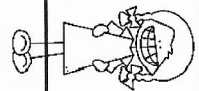


Name _____

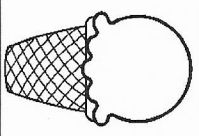
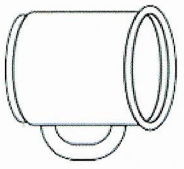
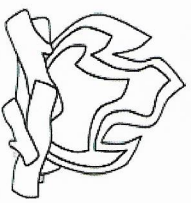
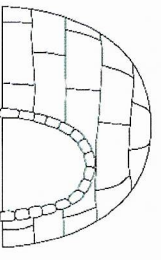
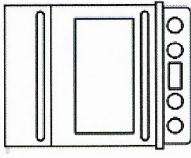
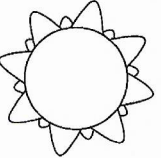
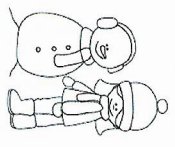
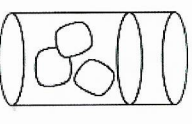
Cut out the pictures below. Sort and glue the pictures under the correct category.



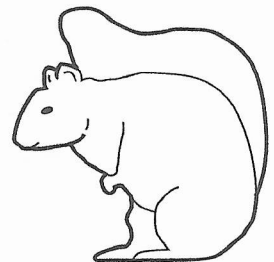
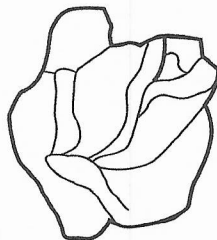
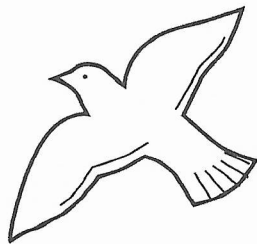
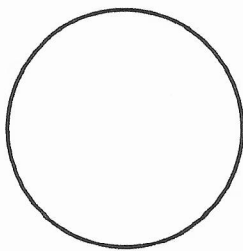
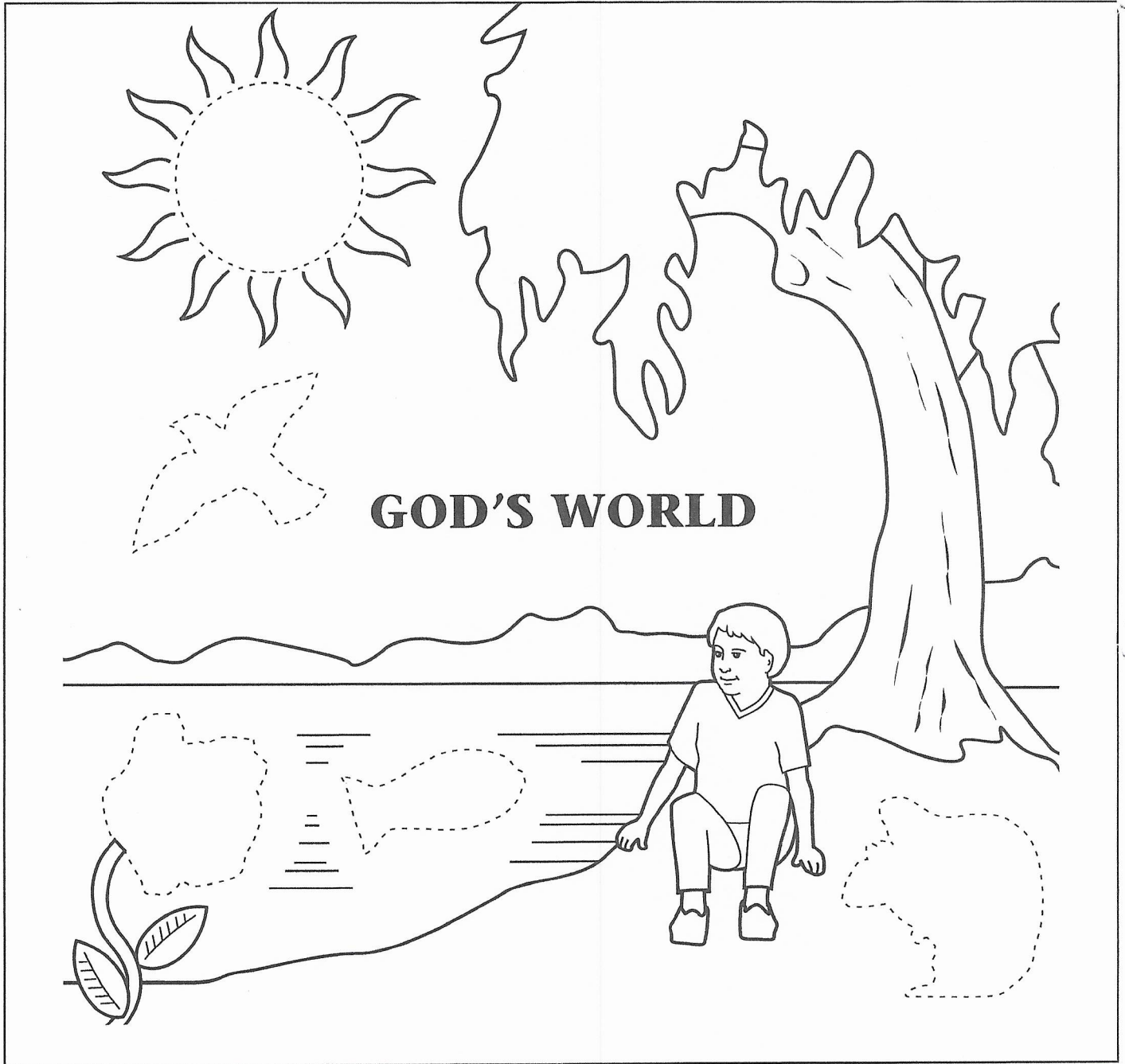
Cold



Hot

Creation



- Color the picture
- Cut out these things God made.

- Paste them where they belong in the picture.